



## POT PTFE BEARING

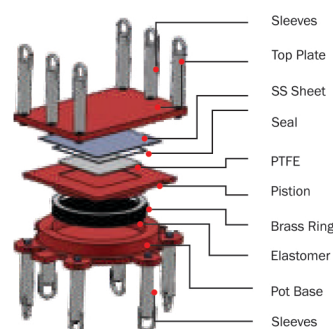
POT PTFE BEARING is a bearing which carries vertical load by compression on an elastomeric disc confined in a steel cylinder and which accommodates rotations by deformations of the disc. The elastomer under a triaxial pressure offers low resistance to deformation but high vertical stiffness.

POT PTFE Bearings are capable of bearing vertical load, horizontal forces and allows movement as well as rotation along any horizontal axis.

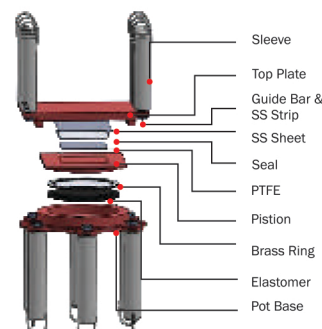
These type of bearings are in huge demand for road, bridge, auditoriums, skywalks etc.

TYPE	POT PTFE Free Bearing	POT PTFE Guided Bearing	POT Fixed Bearing
Load Bearing	Yes	Yes	Yes
Movement	In Both Direction	Only In One Direction	No
Rotation	Yes	Yes	Yes

Pot PTFE Free Bearing



Pot PTFE Guided Bearing



Pot Fixed Bearing

